

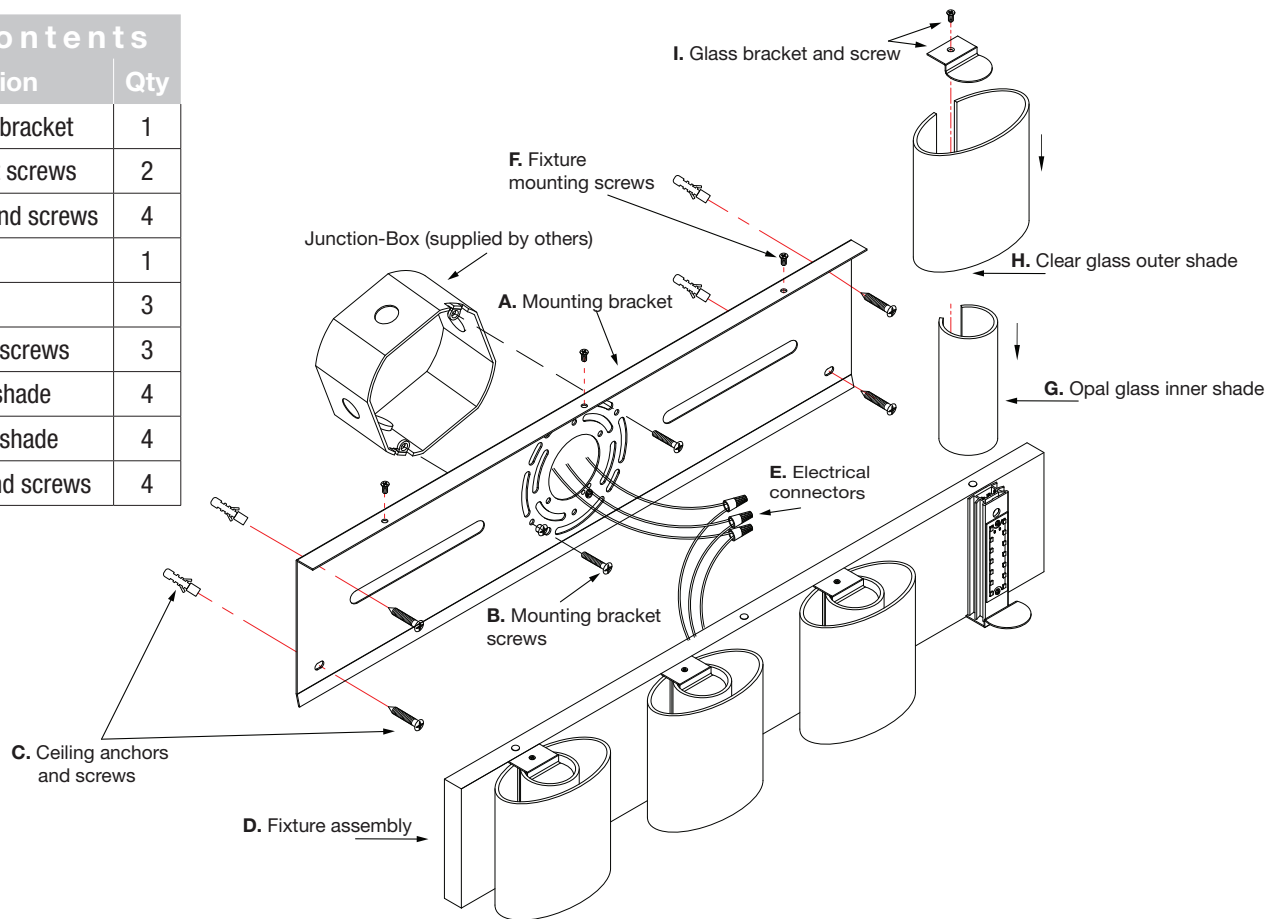
CAUTION - RISK OF FIRE

Installation of this fixture should be done by a licensed electrician or by a person familiar with local electrical codes and the construction and operation of this fixture.

Warning please make sure the electrical breaker is shut off before commencing with this installation
Read and familiarize yourself with these instructions before commencing
This fixture is certified for wall mounting only and is suitable for Damp locations and dimmable with a CL Dimmer
The fixture uses a 120v A/C LED panel, no driver required

Package Contents

Part	Description	Qty
A	Fixture mounting bracket	1
B	Mounting bracket screws	2
C	Ceiling anchors and screws	4
D	Fixture assembly	1
E	Wire connectors	3
F	Fixture mounting screws	3
G	Opal glass inner shade	4
H	Clear outer glass shade	4
I	Glass brackets and screws	4



Installing the fixture *please ensure the electrical breaker is switched off before commencing*

- Loosely attach the supplied Mounting Bracket (A) with the two supplied Mounting bracket screws (B) to the Junction-Box. With a spirit level ensure the Bracket is level and with a pencil mark the four holes for the supplied Wall Anchors (C), remove the mounting bracket and drill four holes for the Wall anchors and insert the supplied plastic anchors. Making sure the electrical supply wires from the Junction-Box are inserted through the mounting bracket, re-attach the mounting bracket to the Junction Box and secure with both the Mounting bracket screws and the wall anchor screws.
- Connect the supply wires to the fixture wires using the supplied electrical wire connectors (E). White supply wire to the White fixture wire, Black supply wire to Black fixture wire and the ground Bare Copper or Green wire to the Green fixture wire. Once the electrical wire connectors are securely fastened it is recommended to tape these connectors with electrical tape.
- Attach the fixture assembly (D) to the mounting bracket (A) and secure with supplied Fixture mounting screws (F)
- Gently slide the Opal glass inner shade (G) onto the extrusion then slide the Clear outer glass (H) over the inner glass and secure with the Glass bracket and screw (I)
- Switch on the electrical breaker and your new fixture is ready for many years of trouble free use